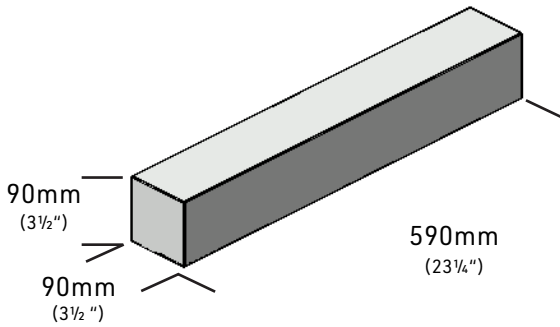




TECHNICAL DETAILS

90x90x590 Tapestry Stretcher

PRODUCT DRAWINGS

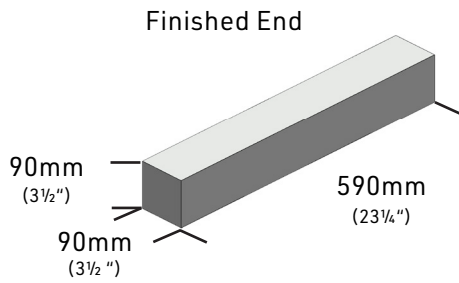


PRODUCT DETAILS

	90x90x590 Tapestry Stretcher		90x90x590 Tapestry Corner	
	Metric	Imperial	Metric	Imperial
Selling UoM		EA		EA
Units/Skid	120EA	120EA	120EA	120EA
Weight/Each	11.17kg	24.63lbs	11.17kg	24.63lbs
Weight/Skid	1,362kg	2,996lbs	1,362kg	2,996lbs
# of Layers	6	6	6	6
Pieces/Layer	20	20	20	20
Coverage/Unit	0.062m ²	0.67sf	0.062m ²	0.67sf
Coverage/Skid	7.47m ²	80.4sf	7.47m ²	80.4sf
Linear Unit/Piece	0.10m	0.33lf	0.10m	0.33lf
Pallet Size	101cmx119cm	40"x47"	101cmx119cm	40"x47"

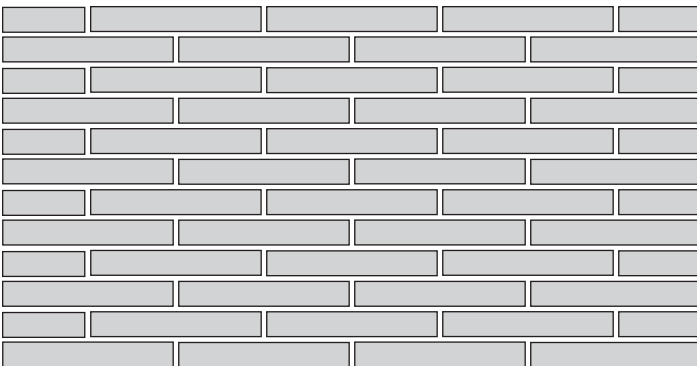
CORNERS

Corner units are sold separately.

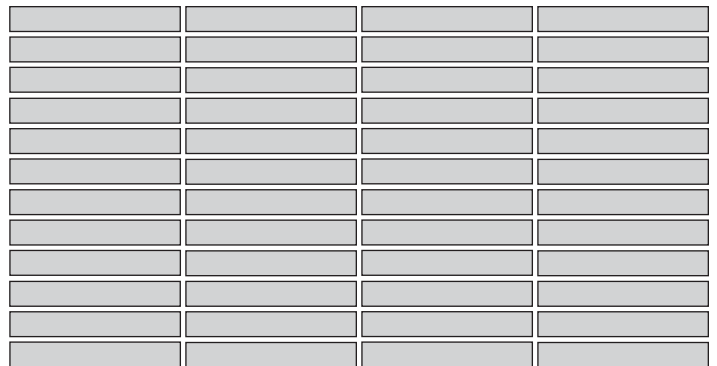


TYPICAL INSTALLATION PATTERN

Running Bond

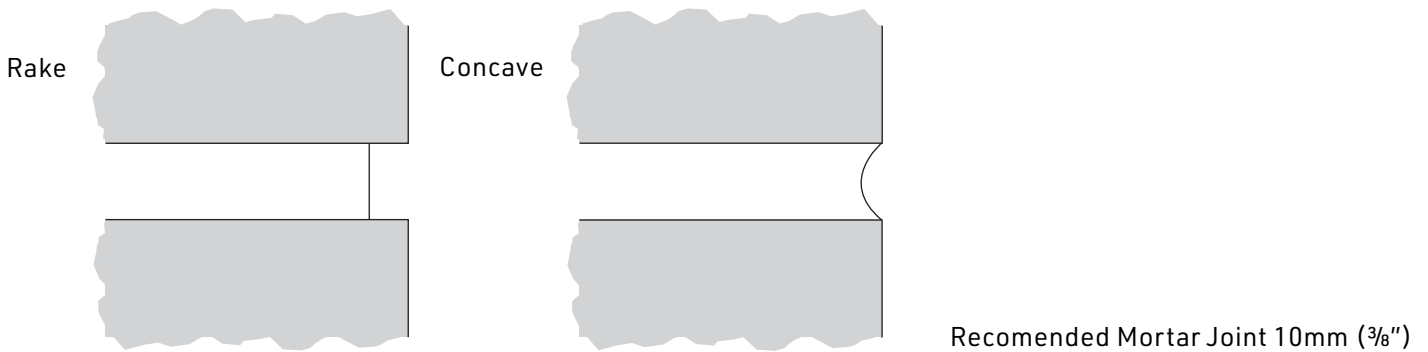


Stack Bond

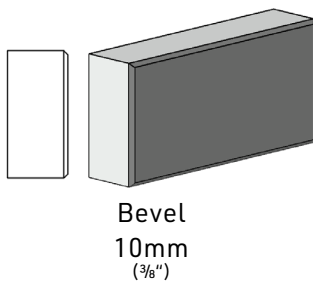


Typical Installation Guidelines: • Blend product from multiple packages for most natural look

TYPICAL MORTAR JOINT



PRODUCT OPTIONS



TYPICAL COURSING GUIDE

Tables Include one unit and one joint.

Vertical Units	10mm Joint	3/8" Joint	Horizontal Units	10mm Joint	3/8" Joint
1	100mm	3 7/8"	1	600mm	23 5/8"
2	200mm	7 3/4"	2	1,200mm	47 1/4"
3	300mm	11 5/8"	3	1,800mm	70 3/4"
4	400mm	15 1/2"	4	2,400mm	94 3/8"
5	500mm	19 3/8"	5	3,000mm	118"
6	600mm	23 1/4"	6	3,600mm	141 5/8"
7	700mm	18 3/8"	7	4,200mm	165 1/4"
8	800mm	27 1/8"	8	4,800mm	188 7/8"
9	900mm	31"	9	5,400mm	212 3/8"
10	1,000mm	34 7/8"	10	6,000mm	236"
20	2,000mm	77 1/2"	20	12,000mm	472"
30	3,000mm	116 1/4"	30	18,000mm	708 1/8"
40	4,000mm	155"	40	24,000mm	944 1/8"
50	5,000mm	193 3/4"	50	30,000mm	1,180 1/8"
100	10,000mm	387 1/2"	100	60,000mm	2,360 3/8"

CODES & STANDARDS

Shouldice Stone Products are supported by the following National Codes & Standards. Refer to local building codes and standards to confirm best practice.

CANADIAN

CSA A165 Standards on Concrete Masonry Units
 CSA A371 Masonry Construction for Buildings
 CSA A179 Mortar and Grout for Unit Masonry
 CSA A370 Connectors for Masonry

AMERICAN

ASTM C55 Specification for Concrete Building Brick
 ASTM C90 Specification for Loadbearing Concrete Masonry Units
 ASTM C270 Specification for Mortar for Unit Masonry
 ASTM C476 Specification for Grout for Masonry
 ASTM C1634 Specification for Concrete Facing Brick and Other Concrete Masonry Facing Units

NCMA TEK 8-4A Cleaning Concrete Masonry
 NCMA TEK 9-1A Mortars for Concrete Masonry
 NCMA TEK 8-3A Control and Removal of Efflorescence
 NCMA TEK 10-4 Crack Control for Concrete Brick and other Concrete Masonry Veneers
 NCMA TEK 19-5A Flashing Details for Concrete Masonry Walls

TYPICAL UNIT PROPERTIES

Products exceed the CSA and ASTM standards.

	Standard	Compression Strength	Absorption	Density	Fire Rate (Hours)
CSA	A165.1	>15mpa	<8%	>2000kg/m ²	1.4
ASTM	C1634	>3000psi	<12lb/ft ³	>125lb/ft ³	

HATCH PATTERNS & TEXTURE MAPS

To access Shouldice Stone Hatch Patterns and texture maps visit the corresponding [shouldice.ca](https://www.shouldice.ca) [product page](#) for current availability.

CONTACT US

For technical questions regarding our product line please contact our knowledgeable customer service team. By phone: **800.265.3174** or email: **designer@shouldice.ca**